

## Semi-Split Shaft Collars

Stainless Steel, with Damping Washer

### SPECIFICATION

- Stainless steel AISI 316 LHC NI
- Sintered
- Damping washer
- Elastomer (PUR)
  - 70 Shore A
  - Temperature resistant up to 80 °C
  - Transparent
- Socket cap screw DIN 912
- Stainless steel AISI 304

### INFORMATION

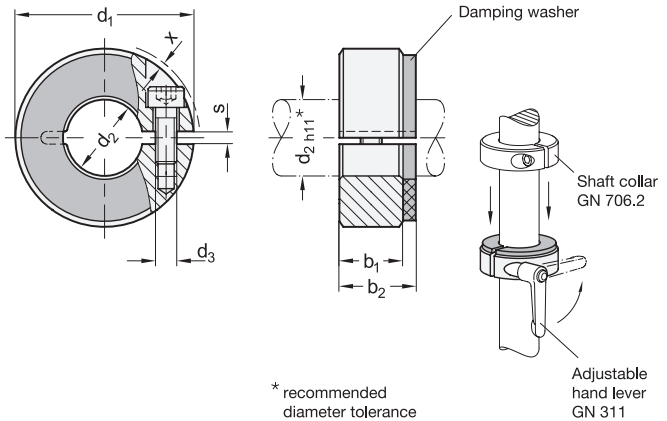
- The affixed damping washer of the semi-split shaft collars GN 7062.3 absorbs mild shocks and has a sound-damping effect when the shaft collars come into contact with other components.
- They can be assembled safely and easily with a high clamping force by reducing the slot height, without damaging the surface of shafts and axles.
- The thread  $d_3$  for sizes  $d_1 = 30$  to  $36$  is designed as a through hole; for sizes  $d_1 = 42$  and larger, it is designed as blind hole.
- List of Shaft Collar Types (see page )

### ACCESSORY

- Adjustable Hand Levers GN 311 (see page )

### TECHNICAL INFORMATION

- Plastic Characteristics (see page A2)
- ISO-Fundamental Tolerances (see page A21)
- Stainless Steel Characteristics (see page A26)



### GN 7062.3

STAINLESS STEEL

| Description         | $d_1$ | $d_2$ H10 | $b_1$ | $b_2$ | $d_3$ | $s$ | $x \approx$<br>max. protrusion<br>of cap screw | Adjustable<br>hand lever<br>for $d_3$ | ⚖   |
|---------------------|-------|-----------|-------|-------|-------|-----|--|---------------------------------------|-----|
| GN 7062.3-30-B12-NI | 30    | B 12      | 11    | 13    | M 4   | 2.1 | 0.7  | GN 311-30-M4-12-SW                    | 39  |
| GN 7062.3-32-B14-NI | 32    | B 14      | 11    | 13    | M 4   | 2.1 | 0.7  | GN 311-30-M4-12-SW                    | 45  |
| GN 7062.3-36-B15-NI | 36    | B 15      | 13    | 15    | M 5   | 2.1 | 1.4  | GN 311-30-M5-13-SW                    | 76  |
| GN 7062.3-36-B16-NI | 36    | B 16      | 13    | 15    | M 5   | 2.1 | 1.4  | GN 311-30-M5-13-SW                    | 67  |
| GN 7062.3-42-B18-NI | 42    | B 18      | 15    | 18    | M 5   | 3   | 0.6  | GN 311-30-M5-15-SW                    | 106 |
| GN 7062.3-42-B20-NI | 42    | B 20      | 15    | 18    | M 5   | 3   | 0.6  | GN 311-30-M5-15-SW                    | 98  |
| GN 7062.3-48-B22-NI | 48    | B 22      | 15    | 18    | M 5   | 3   | 0  | GN 311-45-M5-16-SW                    | 135 |
| GN 7062.3-48-B25-NI | 48    | B 25      | 15    | 18    | M 5   | 3   | 0  | GN 311-45-M5-16-SW                    | 124 |
| GN 7062.3-55-B28-NI | 55    | B 28      | 15    | 18    | M 6   | 3   | 0.5  | GN 311-45-M6-18-SW                    | 195 |
| GN 7062.3-55-B30-NI | 55    | B 30      | 15    | 18    | M 6   | 3   | 0.5  | GN 311-45-M6-18-SW                    | 156 |
| GN 7062.3-60-B32-NI | 60    | B 32      | 15    | 18    | M 6   | 4   | 0.4  | GN 311-45-M6-19-SW                    | 203 |
| GN 7062.3-60-B35-NI | 60    | B 35      | 15    | 18    | M 6   | 4   | 0.4  | GN 311-45-M6-19-SW                    | 171 |
| GN 7062.3-65-B40-NI | 65    | B 40      | 15    | 18    | M 6   | 4   | 0.5  | GN 311-45-M6-20-SW                    | 195 |

